

Mounting the fan on a myDV-nano

Technical description

This document will show you step by step how to mount the manoFan-unit to a myDV-nano.



Mounting the fan on a myDV-nano

Technical description

Disassembly:

- 1: Unpower the unit, and take the top carefully off. Make sure if you have LED's mounted in the top, not to damage any wiring.
- 2: carefully remove the display from the housing, or if the display is too difficult to remove, just remove the 4 wires from the display. Make a note of the colors and order of these wires.
- 3: Remove the radio-board by pulling it upwards. Again make sure not to damage any wires.

We are now ready for drilling a hole in the bottom of the box.

Drilling the hole for the wires:

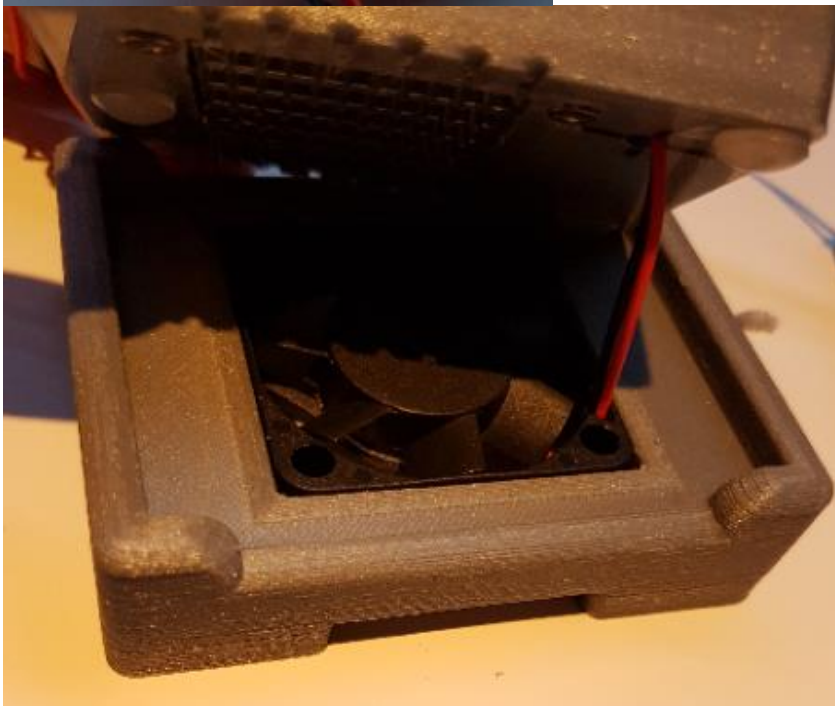
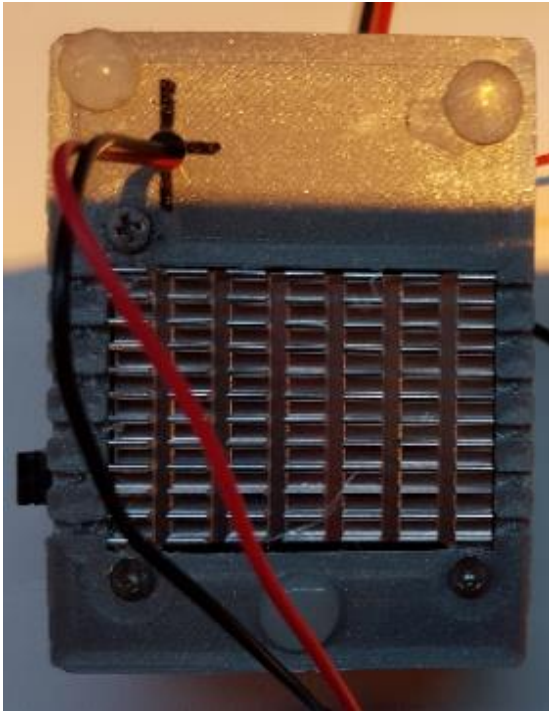
- 1: Carefully check if the spot on the left of the display-position is clean, and has no obstructions of wires etc. Then carefully turn the unit upside-down, display pointing away from you.
- 2: Mark the holes location, 12x12mm from top left (see image below), and drill a hole of 5mm.



Mounting the fan on a myDV-nano



3: Run the wires of the fan through this hole , and carefully place the box on the nanoFan bracket. See the images below.



Also note that the wires from the fan are on the same side as the hole you just drilled.



4: While guiding the wires, push the myDV-nano tightly in the brackets of the nanoFan. Make sure not to damage the display and other items.

Hooking up the wires:

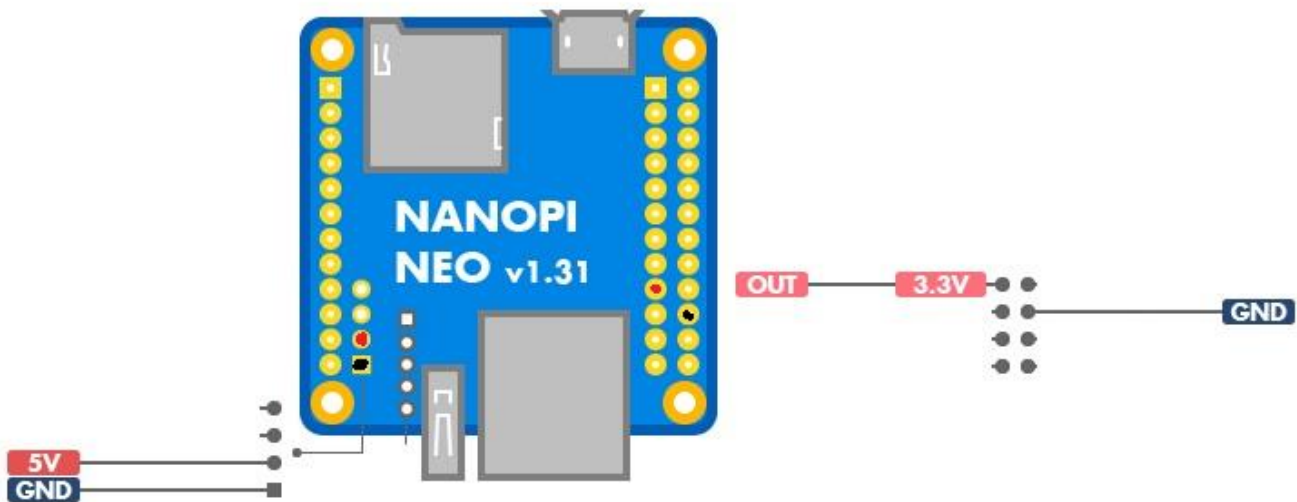
You have 3 ways of connecting the wires of the fan to choose from.

1: mainboard 5V header-pins. See the pinout below. Red goes to +5V and black to GND. Note that due to 5Vdc the fan will be running max speed, thus creating some noise.

2: the free pads/pins on the mainboard (facing the display). You can connect red to 3.3VDC, and black to GND as shown on the pinout. This way the fan is less noisy, and has sufficient power to cool the myDV-nano.

If you are not confident to solder the wires yourself, please ask a friend or technician to do this.

NanoPi NEO v1.31 pinout diagram



Putting it back together again:

1: Place the wires in a position that they are not obstructing the units inside.

2: put the radio back in its original position. Be carefull not to damage the display or radio-board.

3: Connect the wires back to the display, and make sure they are not on top of the bigcpu-chip in case of a singleband-radio.

4: Place the top in its original position, and take care not to have any wires between the top and bottom part of the unit.

Mounting the fan on a myDV-nano



Enjoy..

Finally we are ready to start using the unit again, now we do not need to worry that the temperature of the CPU goes tops in hot area's of the world.

