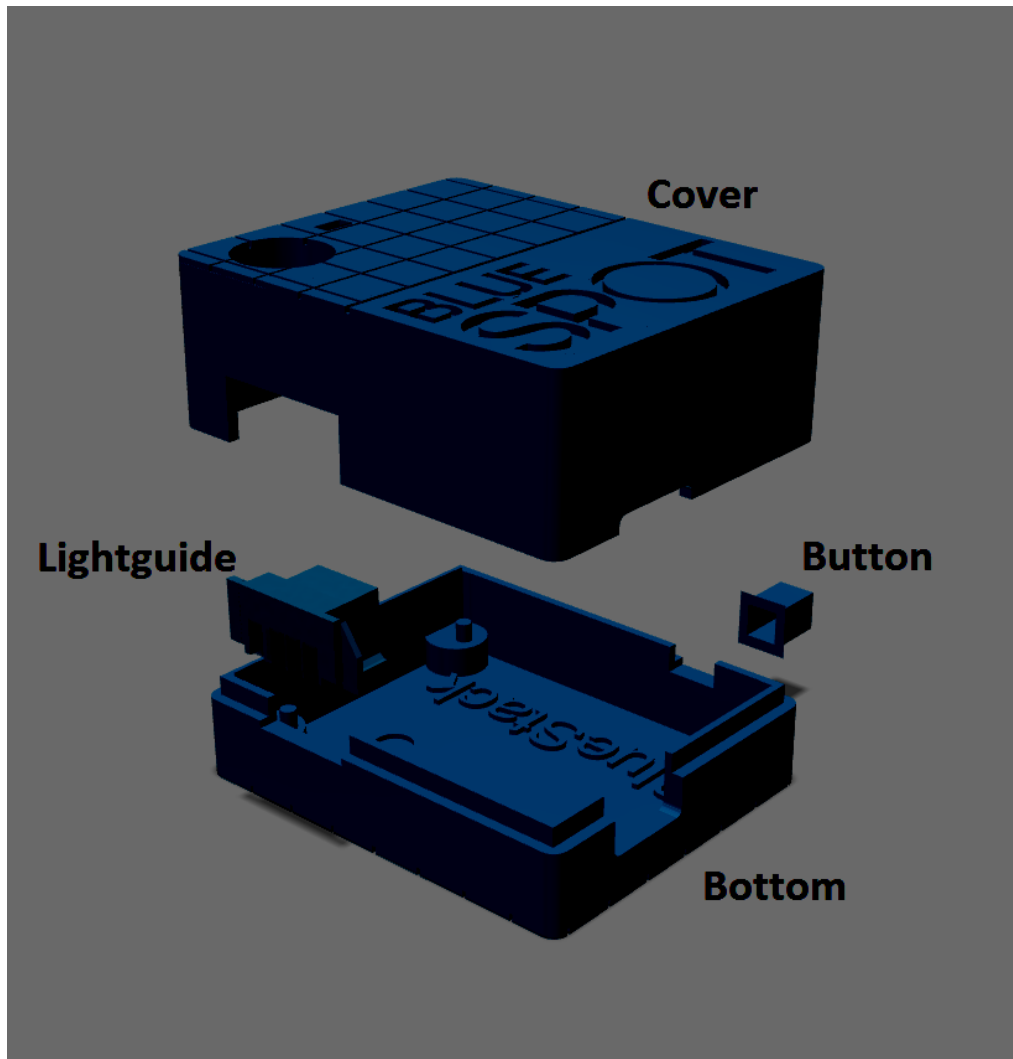


How to assemble the BlueBox unit.

The BlueBox and its parts:



The BlueBox consists of 4 parts.

- the topcover
- the bottom
- the lightguide
- the button

Assembly-steps:

- place the button on the switch, make sure the thicker part is inside the box.
- put the BlueStack pcb in the bottom of the box, check the button while doing this.
- place the lightguide on the outer wall of the bottom, inside it will rest on the pcb.
- place the DVMega on the BlueStack pcb, by connecting it to the header.
- check that the metal housing of the switch does not touch the top pcb (DVMega).
- click the top and the bottom together.